


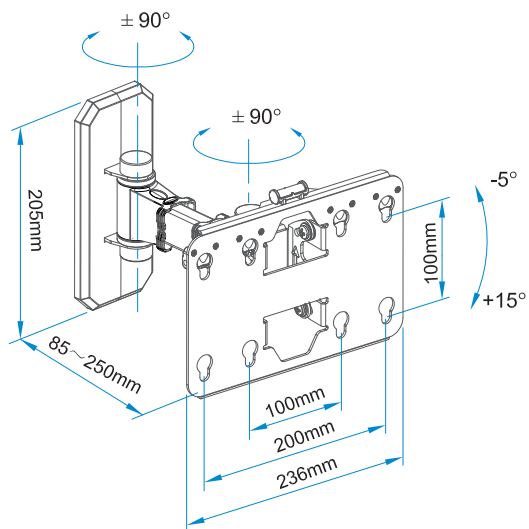


-  **12" - 26"** 30-66 cm
-  **35 kg** 77 lbs
-  **85-250 mm** 3.35"-10"

# PS020-21



Mount Pattern - Montageschema - Schéma de montage  
**100x100, 200x100**

